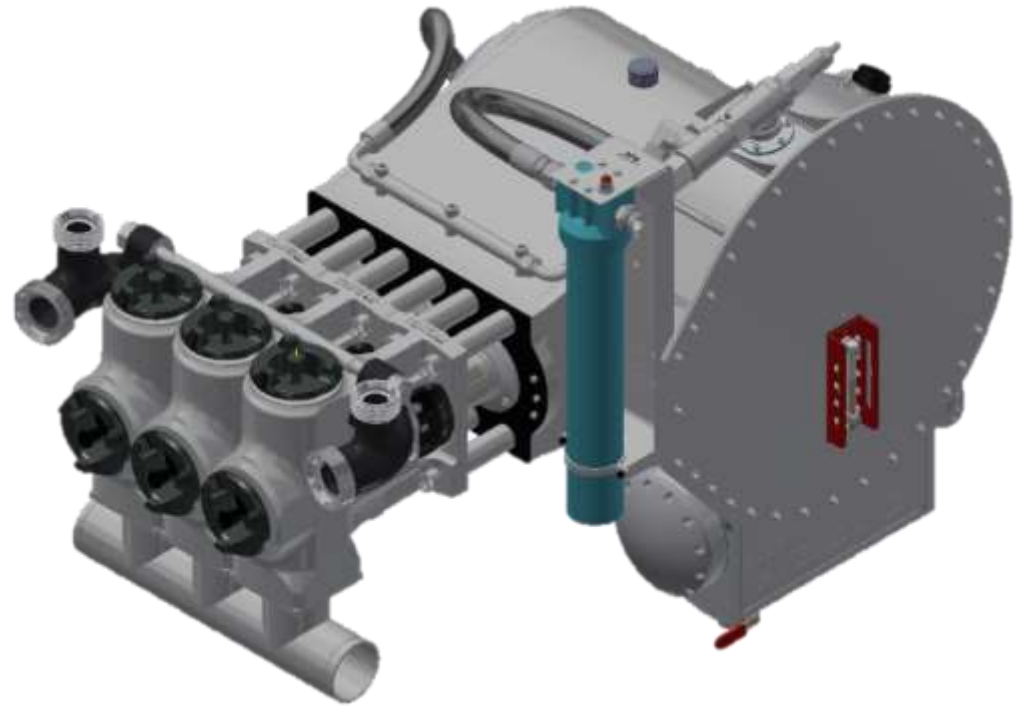


HD 600 Triplex Pump

AFGlobal high-pressure pumps are built for rugged dependability that delivers performance in the harshest, most demanding applications. Our precision-balanced, multi-purpose HD 600 Triplex Pump is a field-proven solution for a wide range of applications including acidizing, caustics, cementing, drilling, and pressure pumping. AFGlobal pumps are exceptionally versatile and deliver a broad range of pressures simply by changing the fluid end assembly. The HD 600 Triplex Pump is designed to execute the highest duty cycles in its class while offering low maintenance costs due to its longevity and durability in the field. We maximize operational availability and service life with strategically located service centers for maintenance, repair, and fully-stocked expendable parts inventory.



SPECIFICATIONS

| | |
|--------------------|------------------------------|
| Gear Ratio | 8:1 |
| Maximum Input | 2000 RPM |
| Maximum Rod Load | 180,000 ft lb. |
| Maximum RPM | 250 RPM |
| Number of Plungers | 3 |
| Stroke Length | 8 in. (203 mm) |
| Weight | 5,500 lb. (2,500 kg) average |

| Plunger Diameter | | Displacement per Revolution | | Flow Rate @ | | | | | | | | | | | | | | | |
|------------------|-----|-----------------------------|-------|-------------|----------------|-------|-----|---------|----------------|------|-----|---------|----------------|------|-----|---------|----------------|------|-----|
| | | | | 100 RPM | | | | 150 RPM | | | | 200 RPM | | | | 250 RPM | | | |
| in. | mm | Gal | Liter | BPM | m ³ | PSI | BAR | BPM | m ³ | PSI | BAR | BPM | m ³ | PSI | BAR | BPM | m ³ | PSI | BAR |
| 3.38 | 86 | 0.93 | 3.52 | 2.2 | 0.4 | 11033 | 761 | 3.3 | 0.5 | 7390 | 510 | 4.4 | 0.7 | 5543 | 382 | 5.5 | 0.9 | 4417 | 305 |
| 4.0 | 102 | 1.31 | 4.94 | 3.1 | 0.5 | 7855 | 542 | 4.7 | 0.7 | 5261 | 363 | 6.2 | 1.0 | 3937 | 271 | 7.8 | 1.2 | 3145 | 217 |
| 4.5 | 114 | 1.65 | 6.26 | 3.9 | 0.6 | 6206 | 428 | 5.9 | 0.9 | 4157 | 287 | 7.9 | 1.3 | 3118 | 215 | 9.8 | 1.6 | 2494 | 172 |
| 5.0 | 127 | 2.04 | 7.72 | 4.9 | 0.8 | 5027 | 347 | 7.3 | 1.2 | 3367 | 232 | 9.7 | 1.5 | 2525 | 174 | 12.1 | 1.9 | 2020 | 139 |
| 6.0 | 152 | 2.94 | 11.12 | 7.0 | 1.1 | 3491 | 241 | 10.5 | 1.7 | 2338 | 161 | 14.0 | 2.2 | 1754 | 121 | 17.5 | 2.8 | 1403 | 97 |

POWER END MATERIAL SPECIFICATIONS

| | |
|--------------------|----------------------------|
| BULL GEAR | Bronze |
| CRANKSHAFT | High Strength Forged Steel |
| CONNECTING RODS | Aerospace Grade Aluminum |
| CROSSHEAD BEARINGS | Bronze |
| CROSSHEADS | Cast Steel |
| GEARBOX | High Strength Steel |
| WORM | High Strength Forged Steel |

FLUID END MATERIAL SPECIFICATIONS

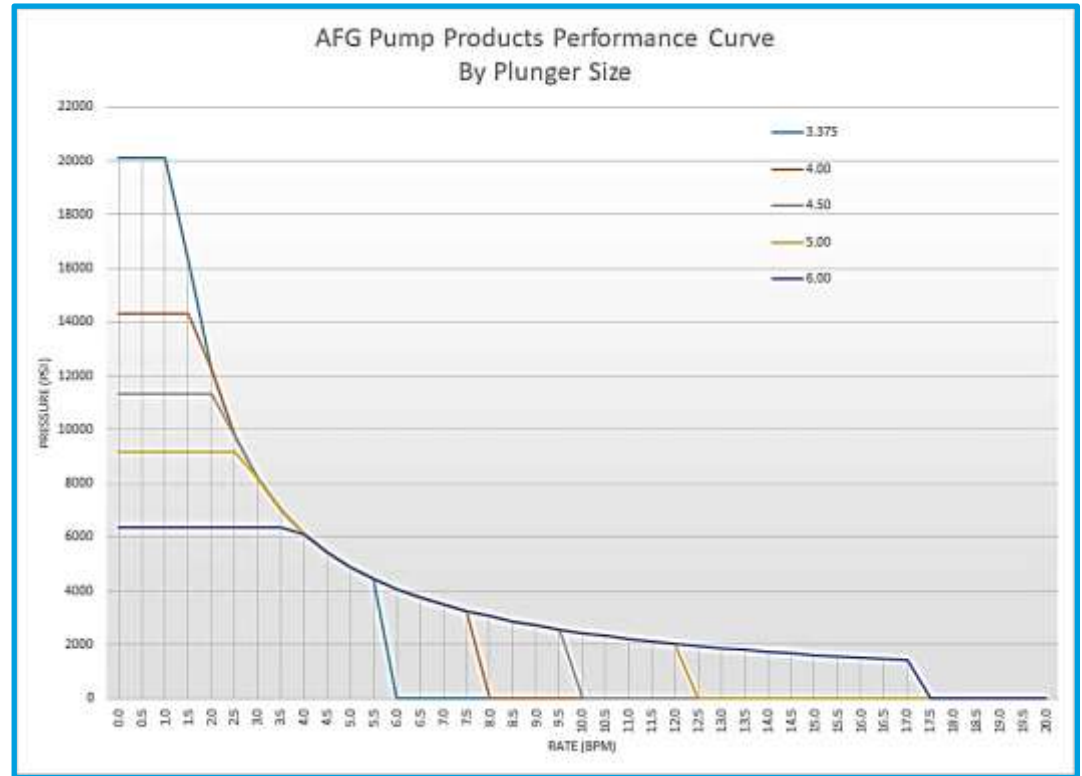
| | |
|-------------------|--|
| DISCHARGE FLANGES | Straight, Blank, or Elbow Left or Right Figure 1502 or Figure 2002 |
| PRESSURE PACKING | Long-Life, Short Stack |
| VALVE SEATS | Carburized Steel, Bonded Rubber |
| VALVE TYPE | Carburized, Double-Guided High Contact |
| PLUNGERS | Colmonoy 69 Coated, 2-piece single acting |

OPTIONAL FEATURES

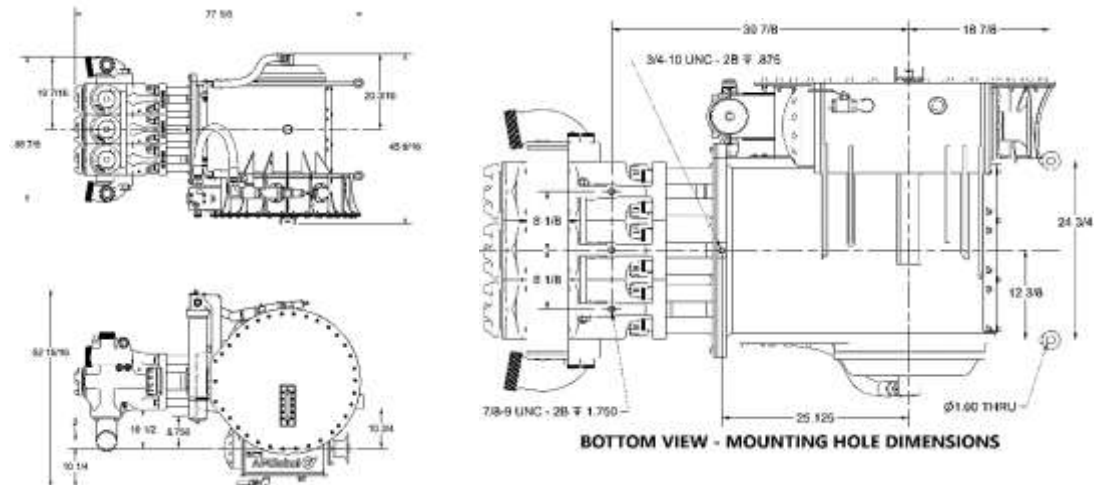
- Gauge Connection
- Plunger Sizes: 3.375 in. (86 mm) to 6.0 in. (152 mm)
- Suction Manifold: 5 in. or 6 in. nominal sch 40 w/Victaulic grooves or weld preparations
- Pressure Packing: Standard Service, Acid Service, & H2S Service

Pump Products
from AFGlobal 

pumpproducts@afglobalcorp.com PH: 346.246.7001



Outline & Mounting Dimensions



afglobalcorp.com